






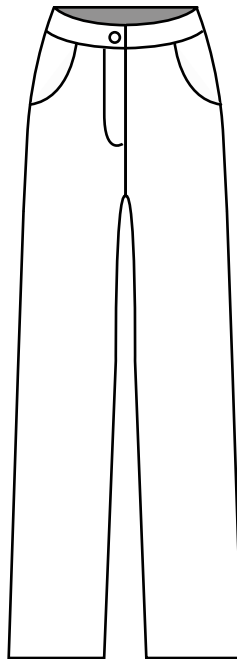


TOTE BAG

Skill Level: ● ○ ○

	Front side fabric
	Back side fabric
	Fold
	Cutting Line
	Sewing Line
	Scissor
	Iron

You need fabrics:



A pair of old jeans
+ 3 yards of webbing
for handles



You need tools:



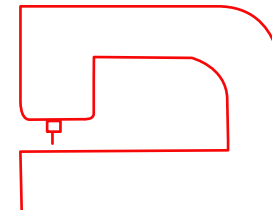
Scissor



Iron



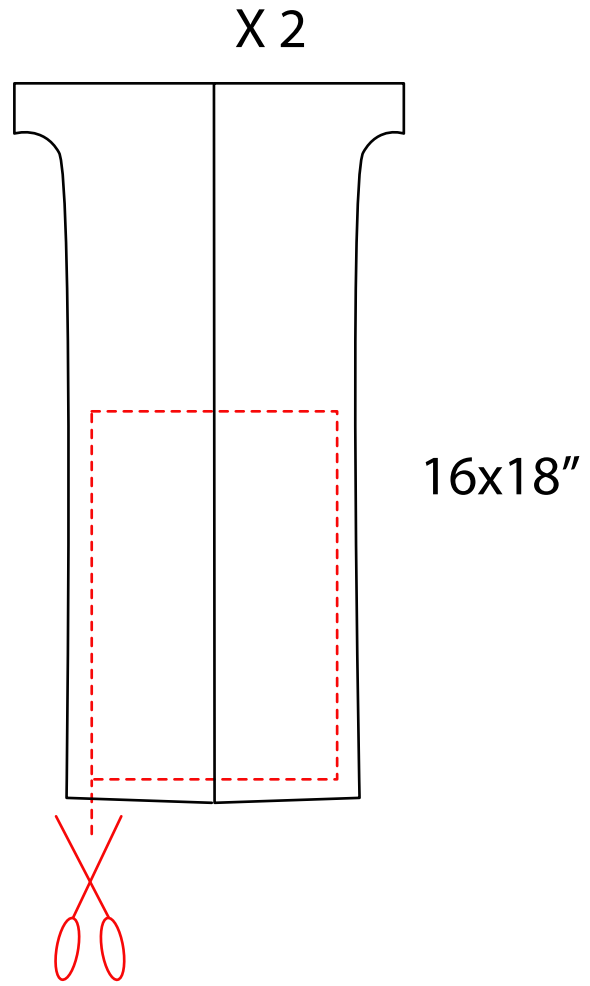
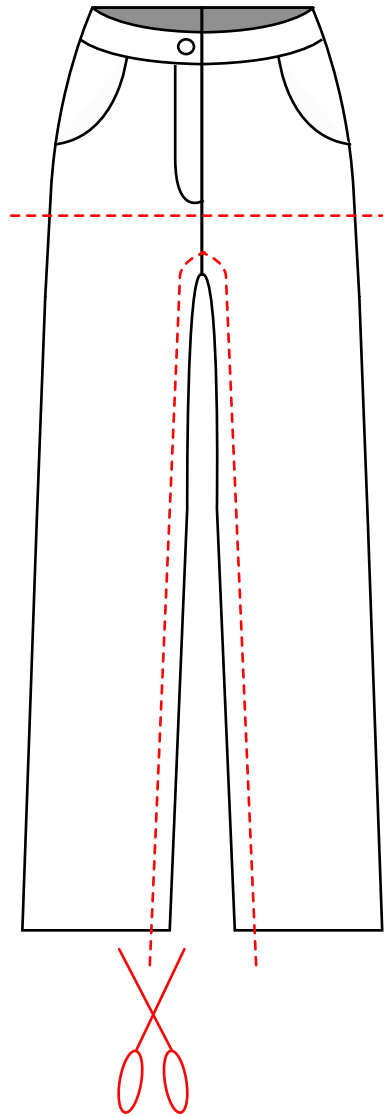
Tread



Sewing machine

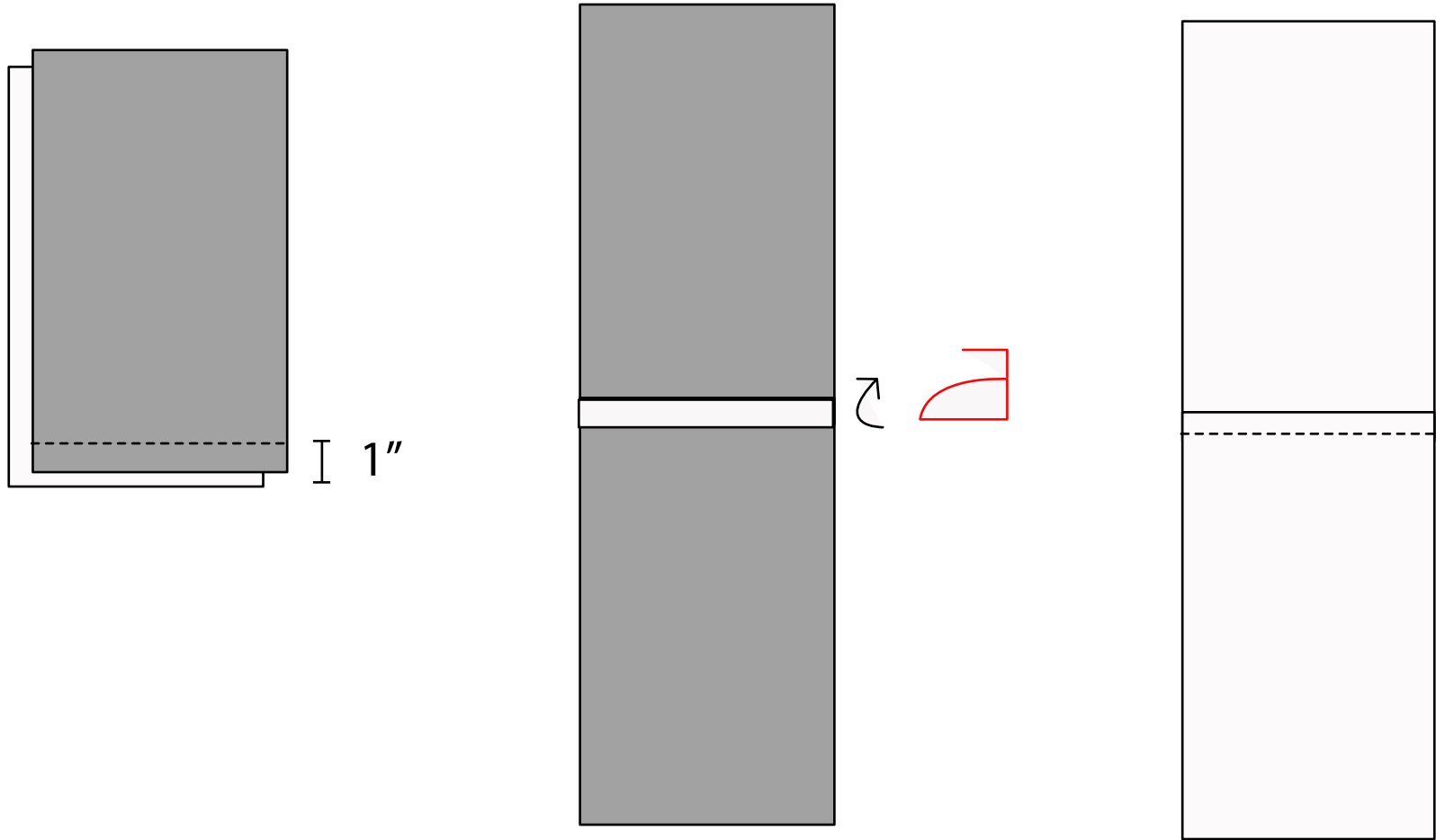
1

Cut the panels



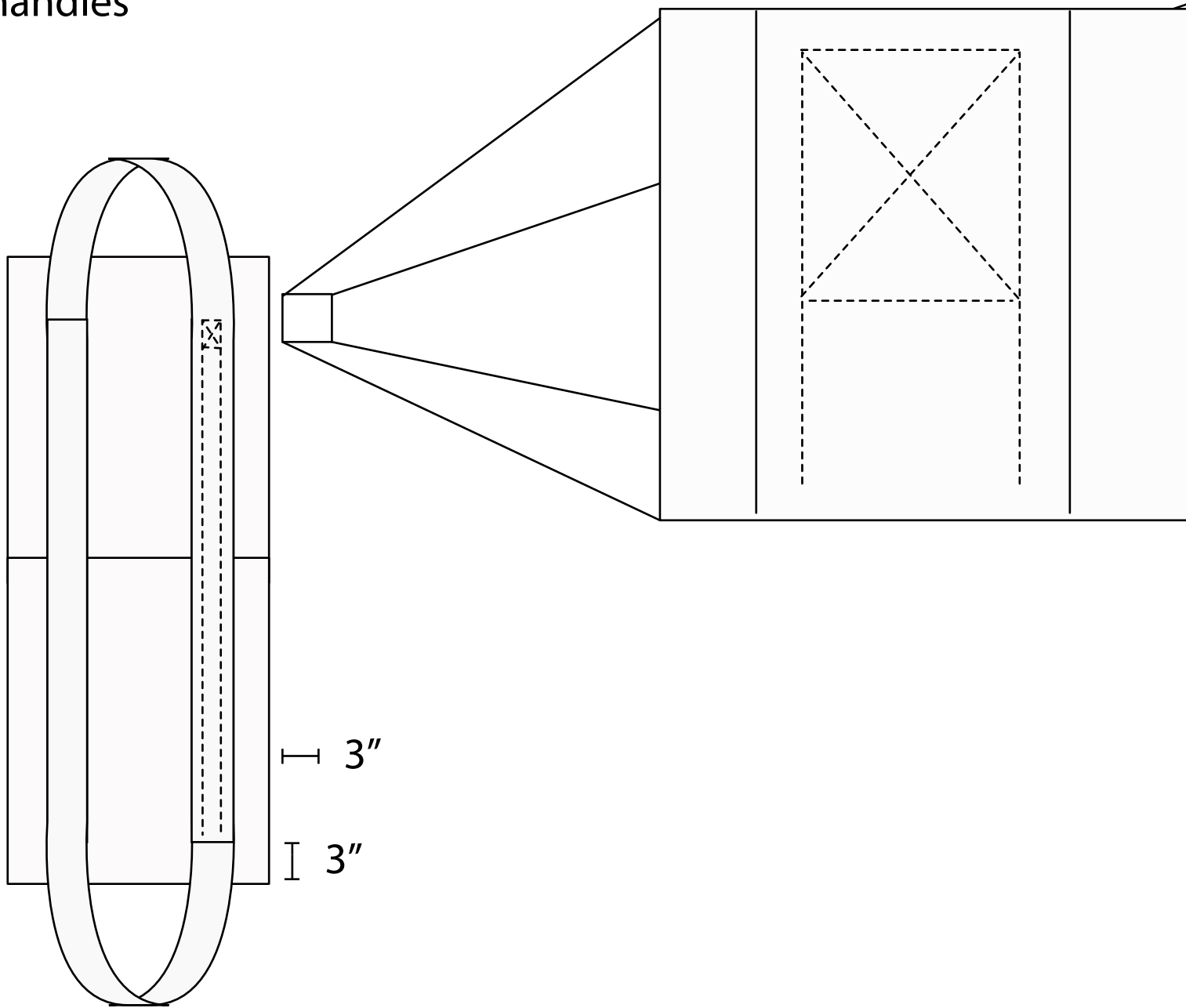
2

Sew bottom seam



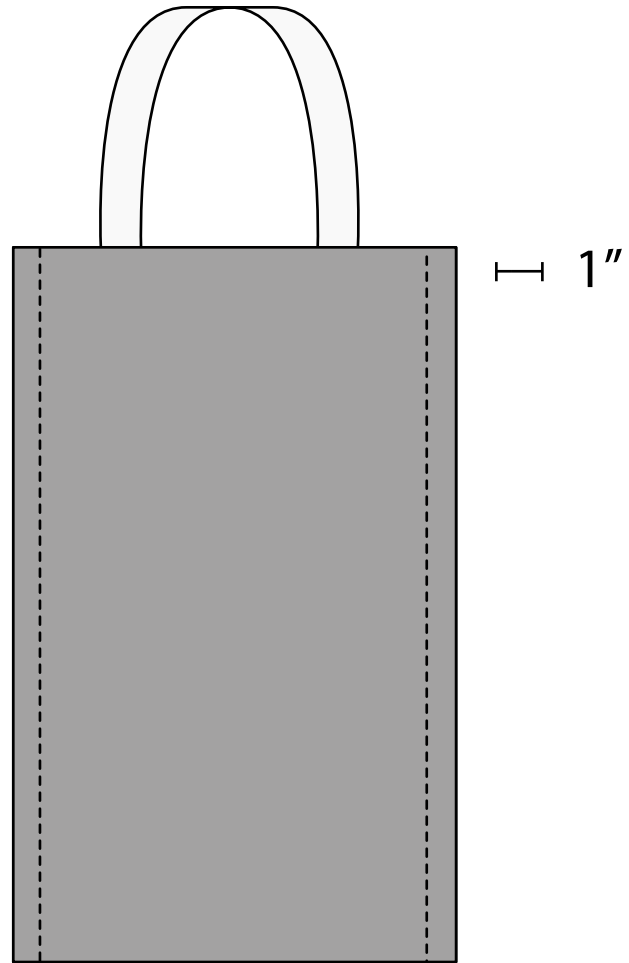
3

Attache handles



4

Sew side seams



5

Fold and sew down top edge

